

Item code: M24GX20A



**Features:**

1. high brightness 2835SMD(0.3W)(0.2w for red color), bigger chip size, white color can reach 35lumen/led, low light decay,
2. 160°specail design lens, for better light distribution and eveness,
3. ABS, Flame retardant ABS(safe), anti-static, weather resistance, abrasion resistance,
5. Exposed Aluminum pcb with faster heat release and ensure for longer lifespan,
6. With 3M tape and screw hole, easy for installation
7. For all kinds of channel letters, metal letters, light boxes

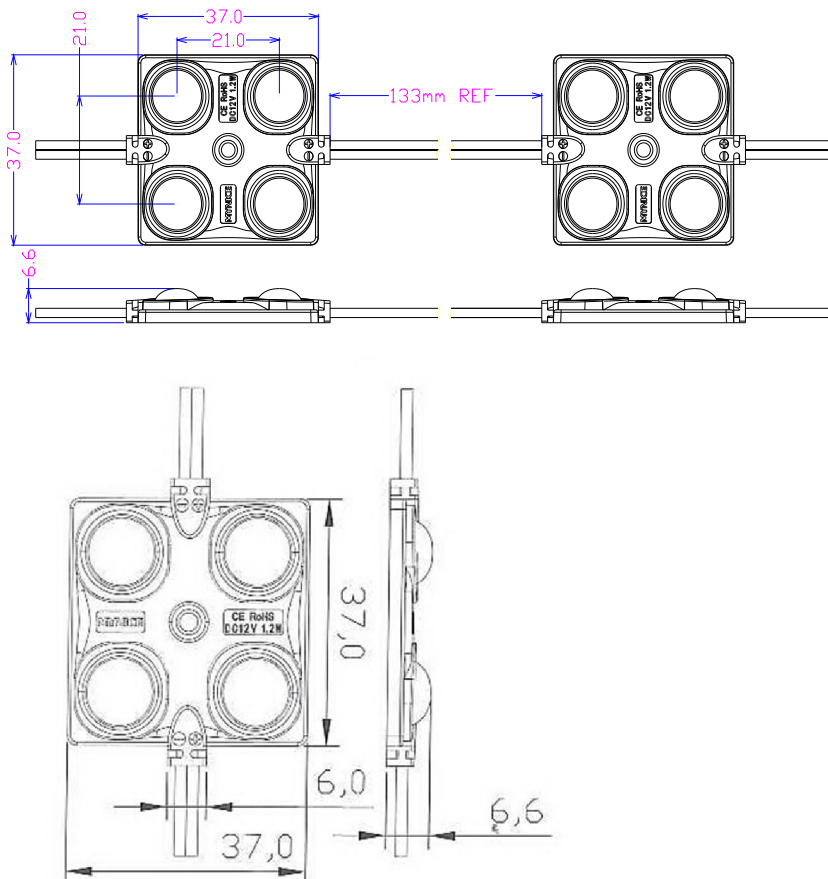
**Electrical data**

code	LED type	Angle	Color	LUMEN(lm)	Wavelength/CC T(nm/K)	Input voltage(V)	power(W)	led chip life
M24GR20A	TOP 2835	≥160	RED	24	625-630	DC12V	0.72W/pc	50 000h
M24GN20A		≥160	warm	128	2700-3300		1.44W/pc	
M24GW20A		≥160	white	140	5500-6500			
		≥160	cool white	128	8000-12000			

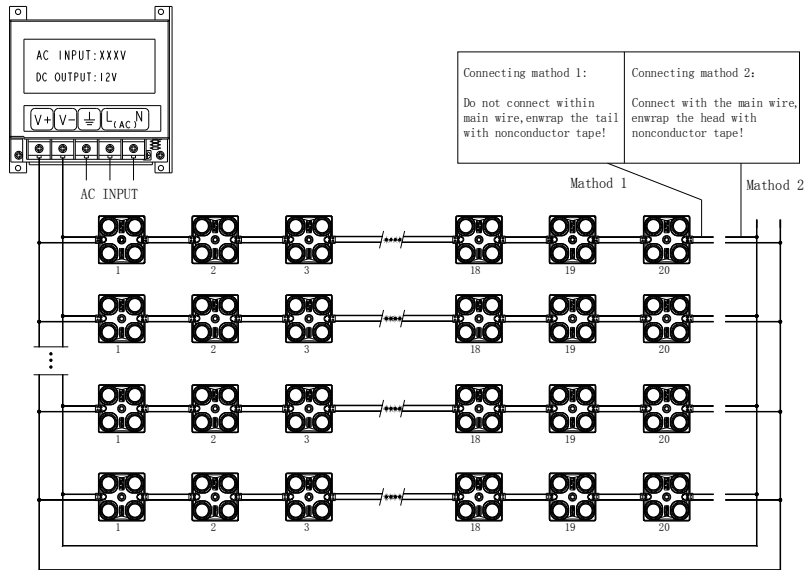
**other data**

LED qty	Qty/channel	IP level	Body	working temperature	storage temperature
4pcs	20pcs	IP65	ABS	-25°C --- +50°C	-50°C --- +60°C

**diameters (unit:mm) :**



**connection diagram:**



**installation instruction:**

- 1、 pls use reliable power supply(with over current protection,over voltage protection,etc)
- 2、 maximum 20pcs per chain

**light distribution**

