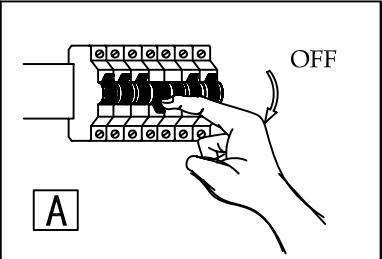
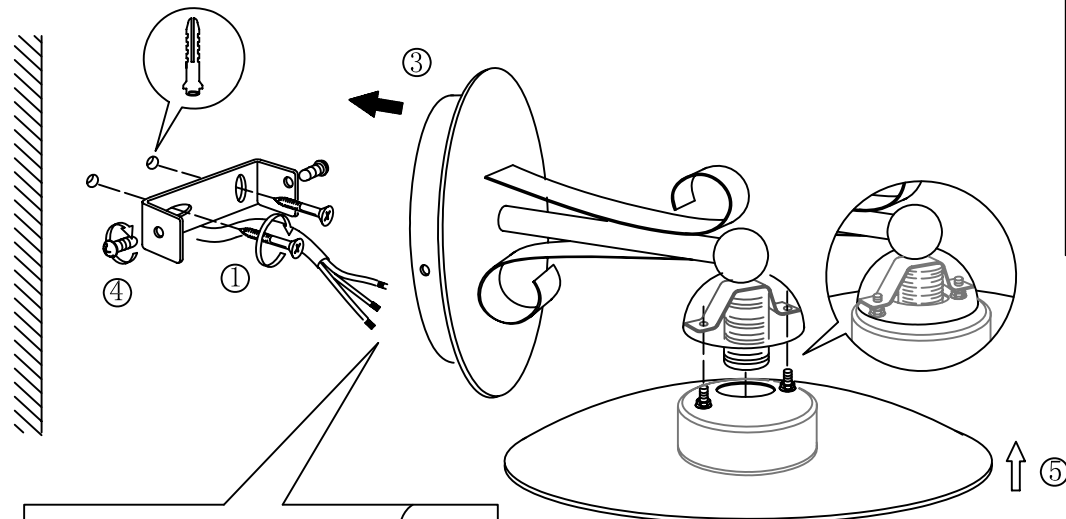
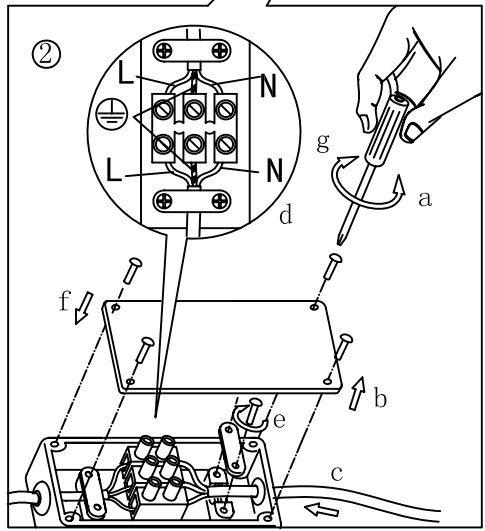


B

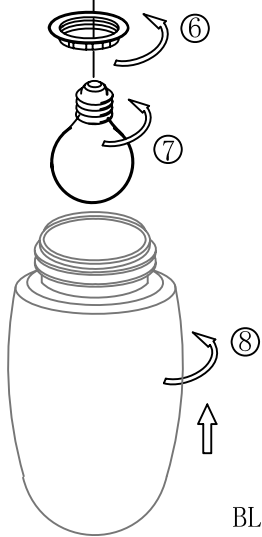


A

OFF



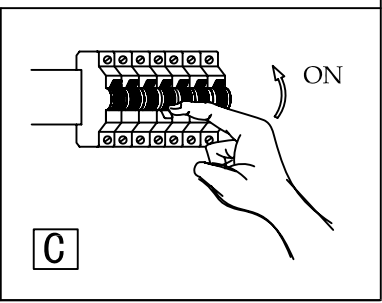
②



⑥

⑦

⑧



C

ON

BLA83588-1