




Item code: M23GX12A

Features:

- 1.High lumen 2835 chip with heat sink;
- 2.160°lens for better light distribution and uniform light output;
- 3.Lens for higher waterproof level;
- 5.Aluminium pcb with ABS housing,better and faster heat release;
- 6.long time lifetime;
- 7.For channal letters,signs,light box,etc



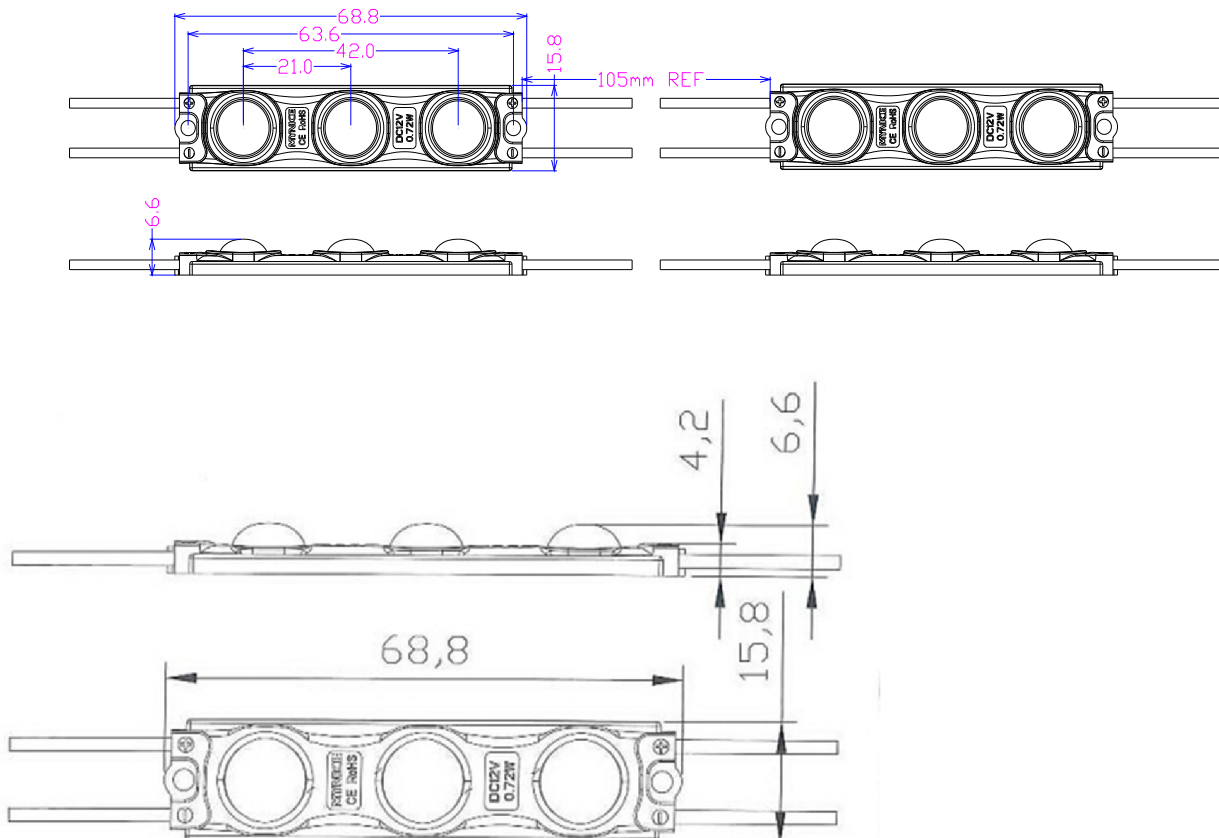
Technical Data

Item code	LED	Beam Angle	LED color	Lumen(lm)	CCT(K)	Input(V)	power(W)	led life time
M23GN12A	2835	≥160	Warm white	105	2700-3300	DC12V	1.08W	50000 H
M23GW12A		≥160	White	105	6500-7000			
		≥160	Cool White	105	8000-12000			
M23GR12A	2835	≥160	RED			DC12V	0.72W	50000 H

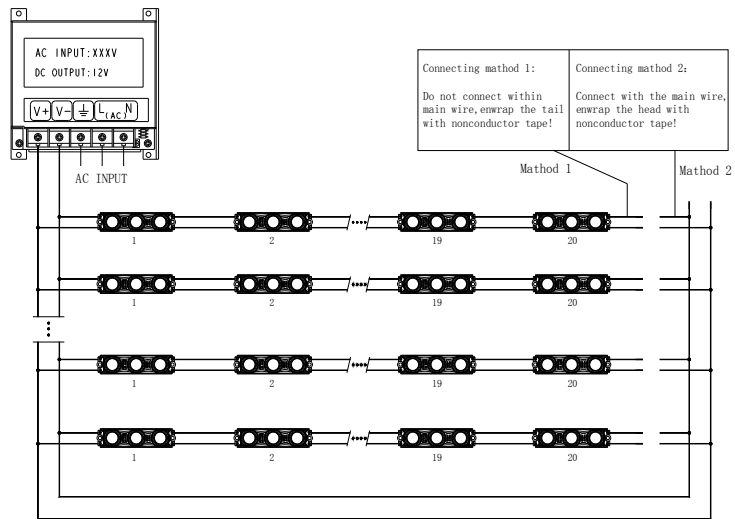
Other Data

LED QTY	Connetion Qty per Chain	housing	IP level	working temperature	storage temperature
3pcs	≤20pcs	ABS Housing	IP65	-25℃ --- +50℃	-50℃ --- +60℃

Dimmension (Unit: mm) :



Connection Chart:



Light distribution

